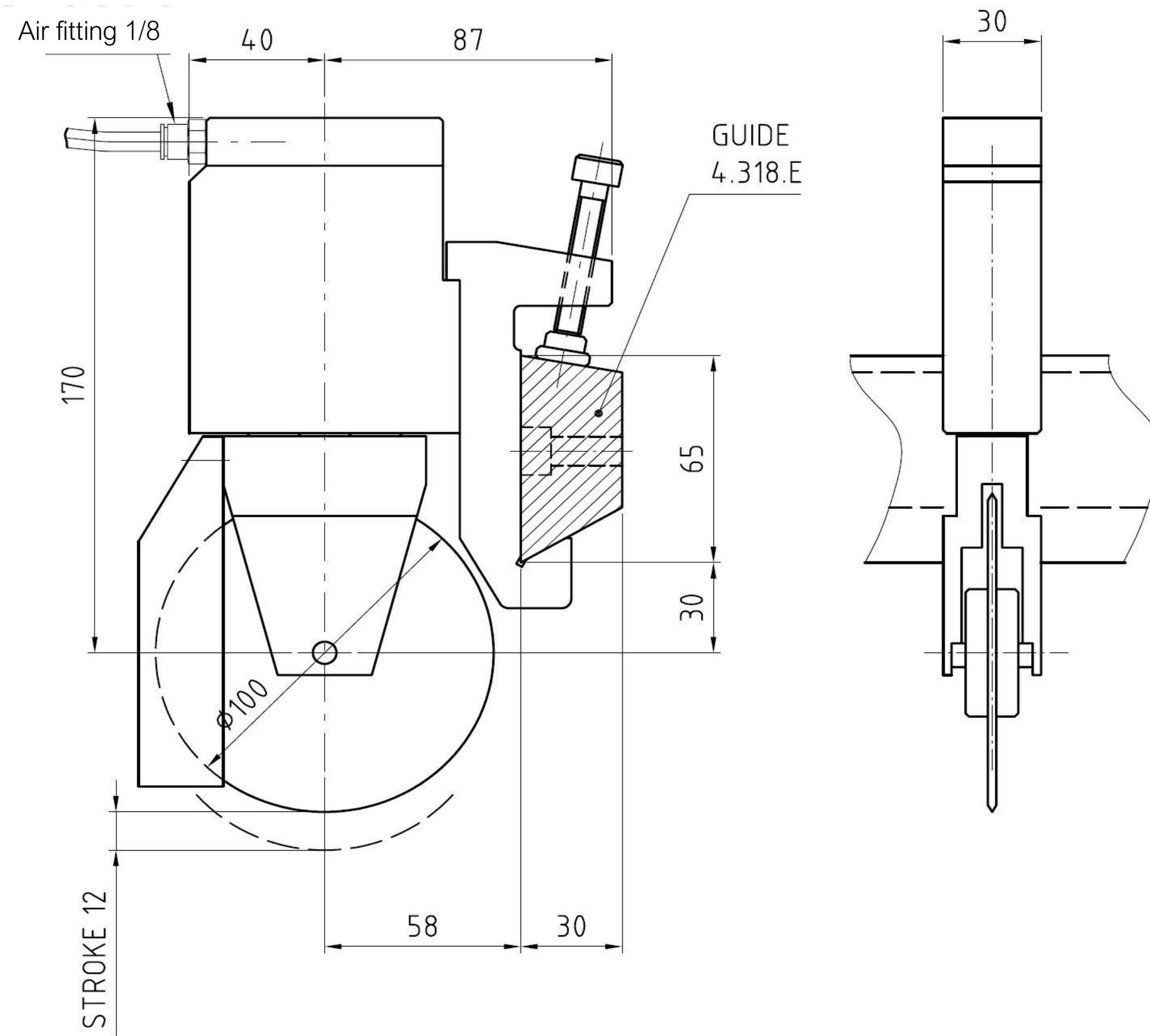




EK-30 Crush cutting knifeholders



Max speed	400m/min***
Min. slit	30mm
Blade stroke, max	12mm
Vertical Force	25Kg
Guide bar	4.318.E

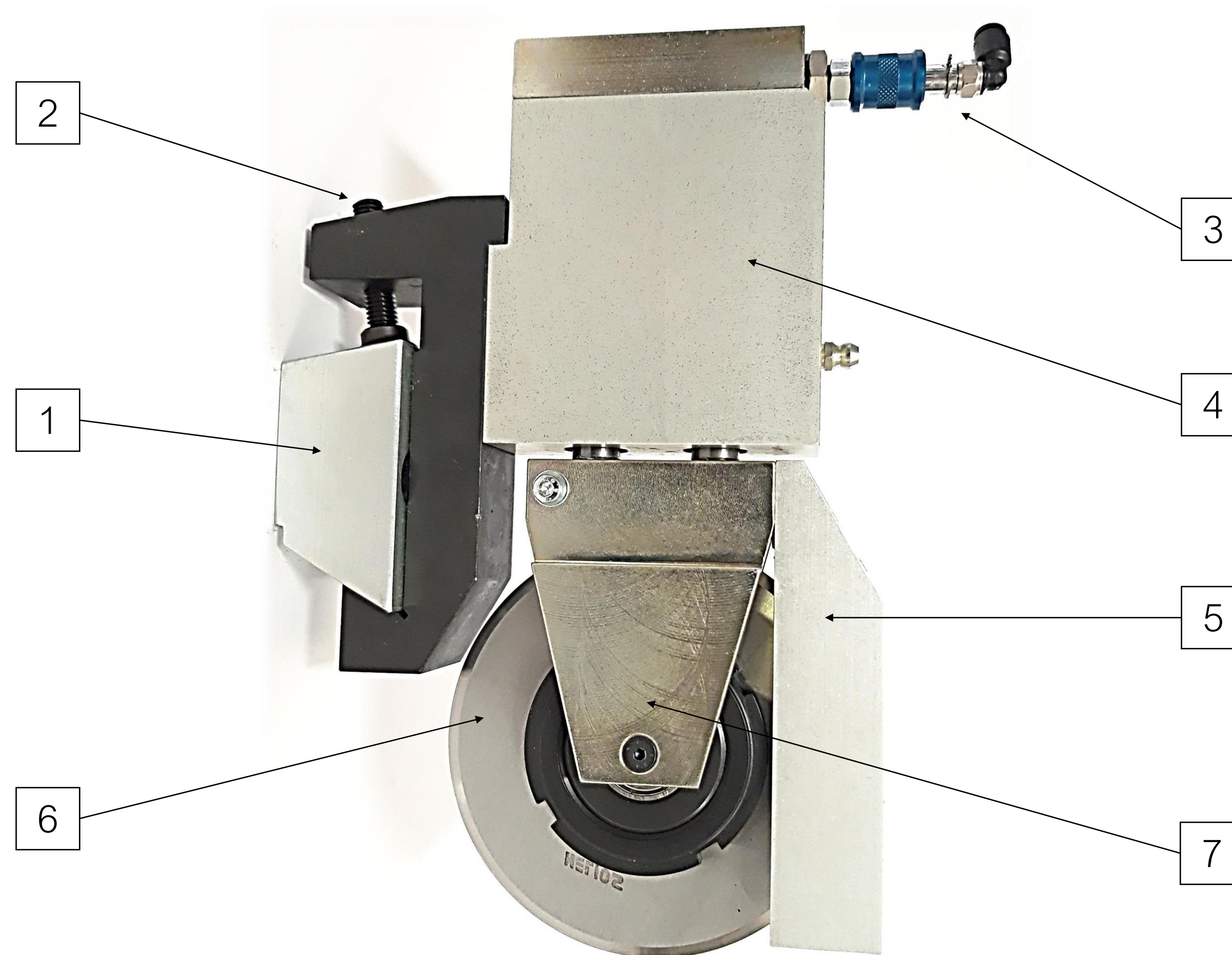
Not suggested for paper and film/plastic

Usually, to have more benefits, blade longer life and higher cut quality, we suggest to install a shear cut solution

For any information specific to your application please contact us

*** depends on cylinder diameter

EK-30 Crush cutting knifeholders



MAIN FEATURES

1. Guide
2. Screw to lock holder on guide
3. Air intake for blade descent
4. Body with double piston for blade descent
5. Frontal blade cover
6. Knife-holder blade
7. Knife-holder head with double bearing