



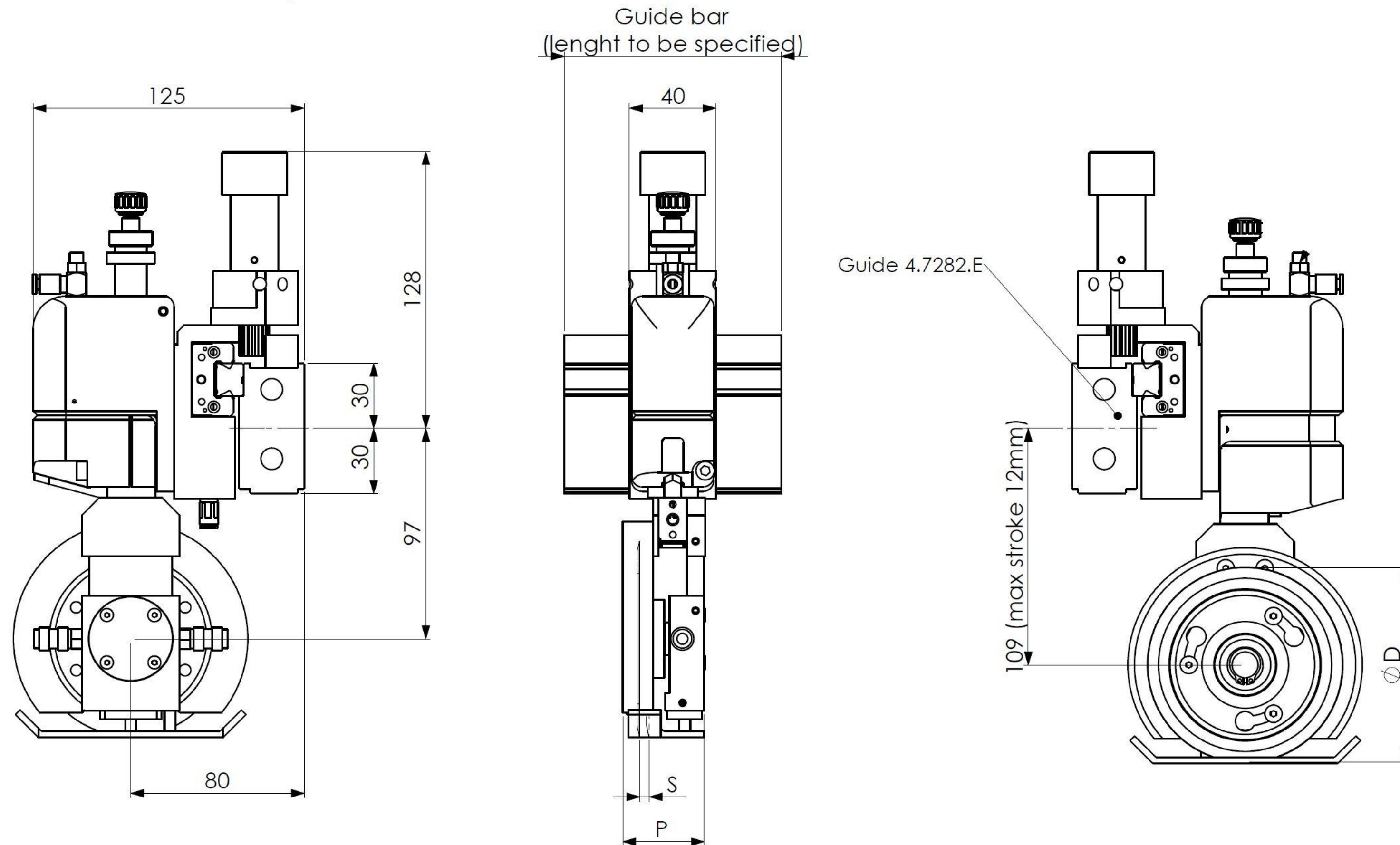
JS2-40C

pneumatic knifeholders

For paper, film, plastic, textile, laminates, fibreglass, nonwoven, rubber, aluminum, etc....

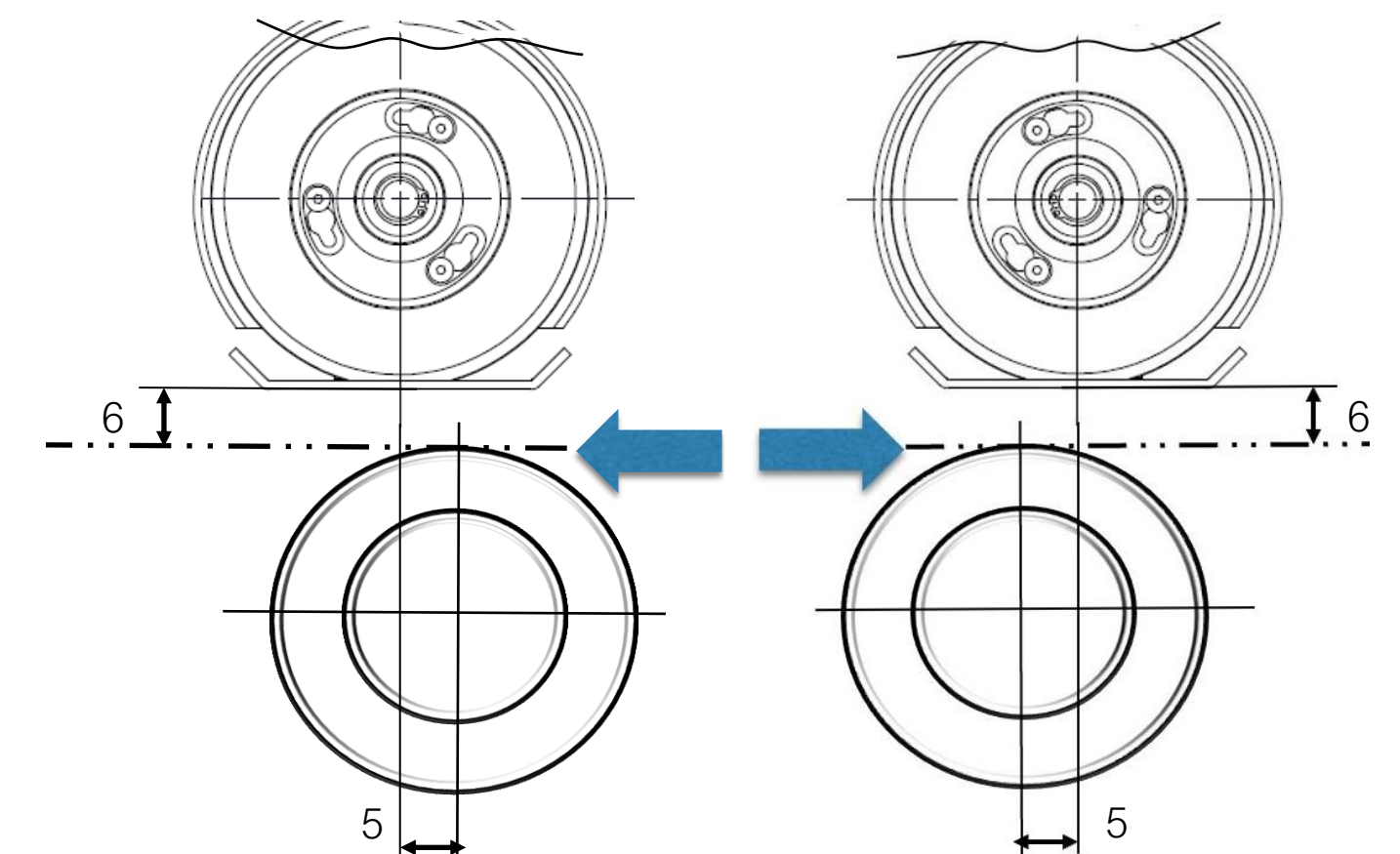
Max speed	600m/min ***
Min. slit	40mm
Blade stroke, max	12mm
Paper	Up to 350gr/m ²
Laminate	Up to 350gr/m ²
Plastic Film/Sheet	from 25μ to 400μ
Nonwoven	Up to 400gr/m ²
Textile	ask
Aluminium	Up to 200μ
Rubber	ask
Fiberglass	Up to 300μ

Indicative values, for alternative materials ask for our evaluation

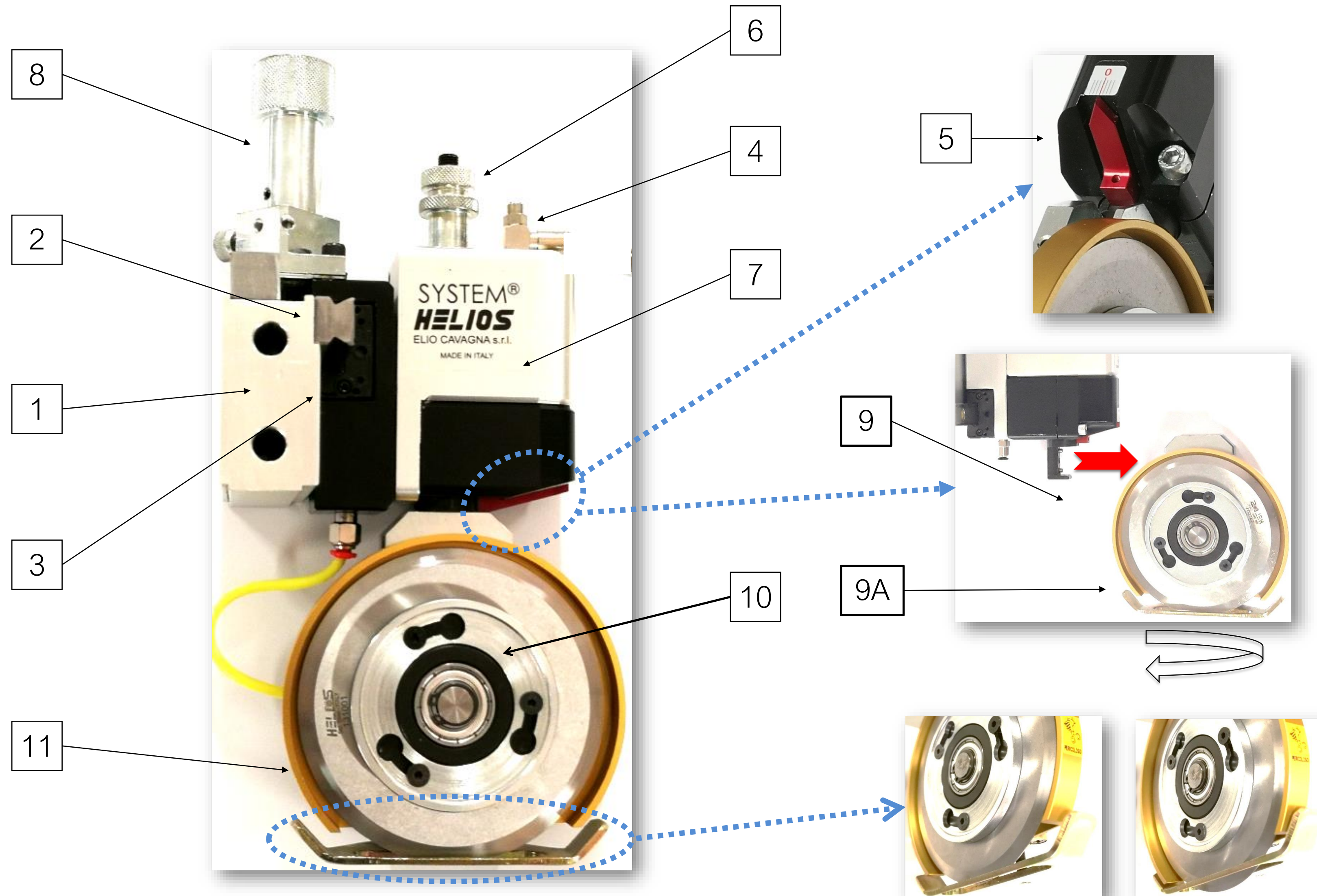


Knifeholder type	∅ D	P	S
JS2 40C	90÷105	40	1,5

For any information specific to your application please contact us



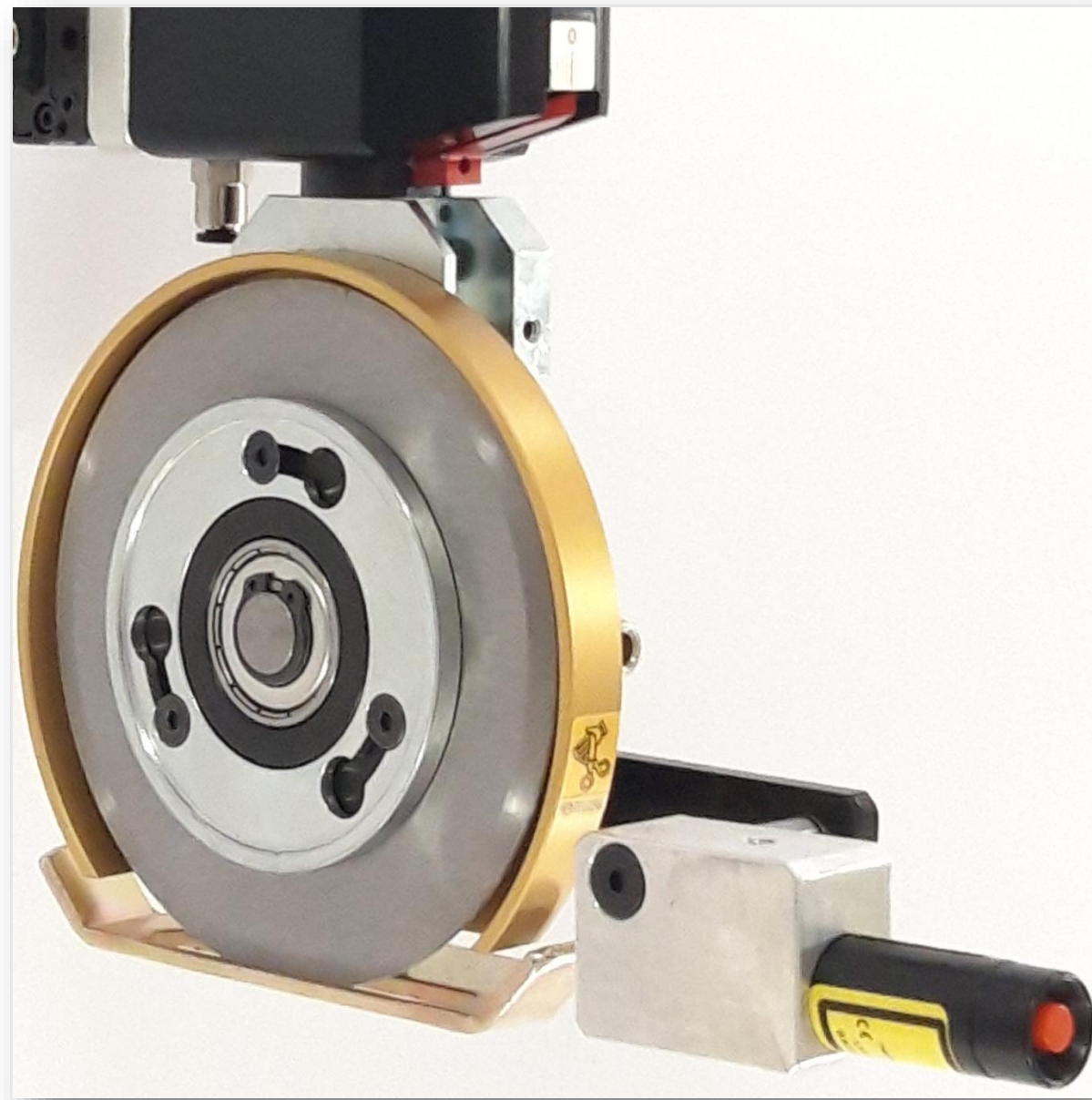
*** depends on counterblade diameter



MAIN FEATURES

1. Single rail guide
2. Single linear bearing
3. Pneumatic brake
4. Blade descent and side stroke with single alimentation
5. Blade cutting angle adjusting from 0 to 2°
6. Blade depth regulation, without nonius
7. Body with double piston for blade descent
8. Knob with pinion for movement
9. Frontal head extraction
 - 9 A. 180° head rotation
10. Bayonet blade assembling
11. 360° automatic blade protection

LASER TO CHECK BLADE
POSITION



PLEXIGLASS
SIDE COVER FOR BLADE



COVER FOR DUST
EXTRACTION



FELT FOR BLADE
LUBRICATION



INTERCHANGEABILITY
WITH RAZOR BLADE

