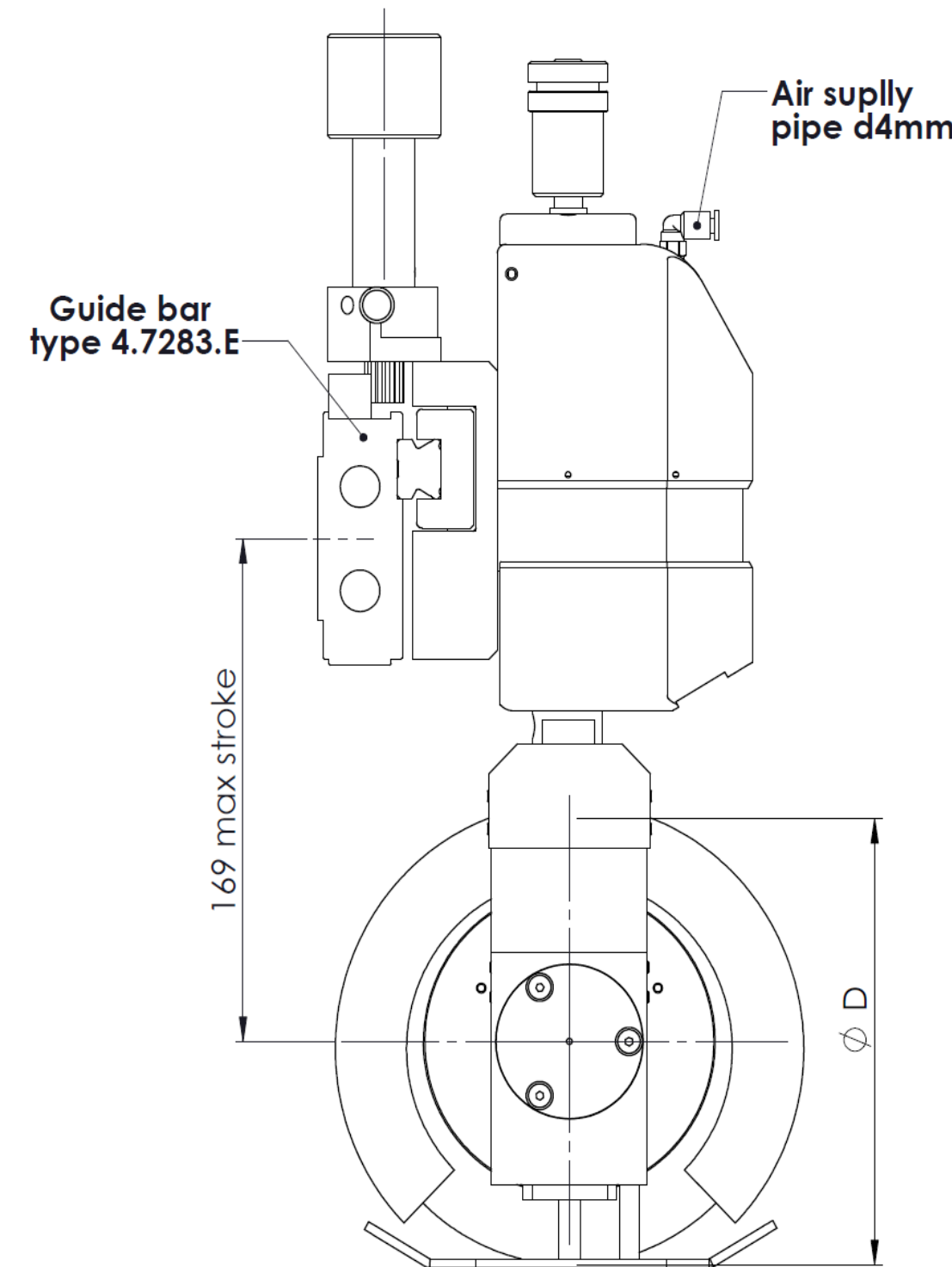
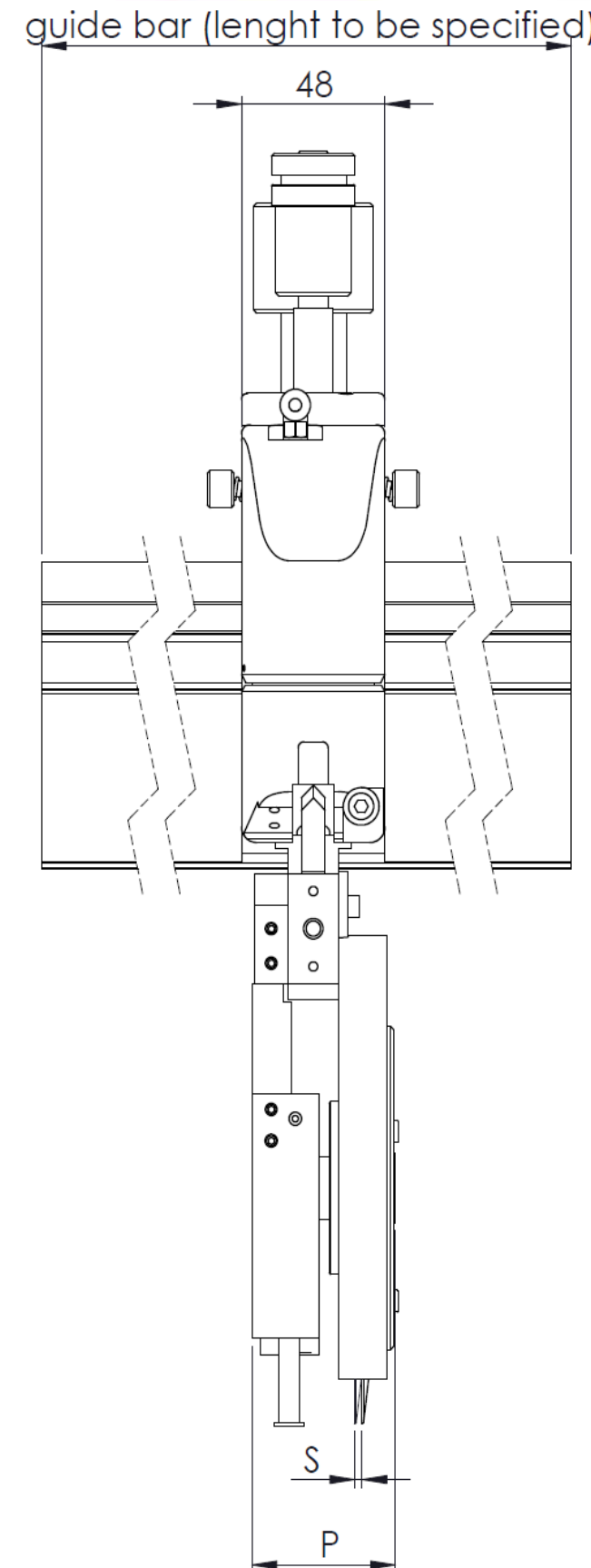
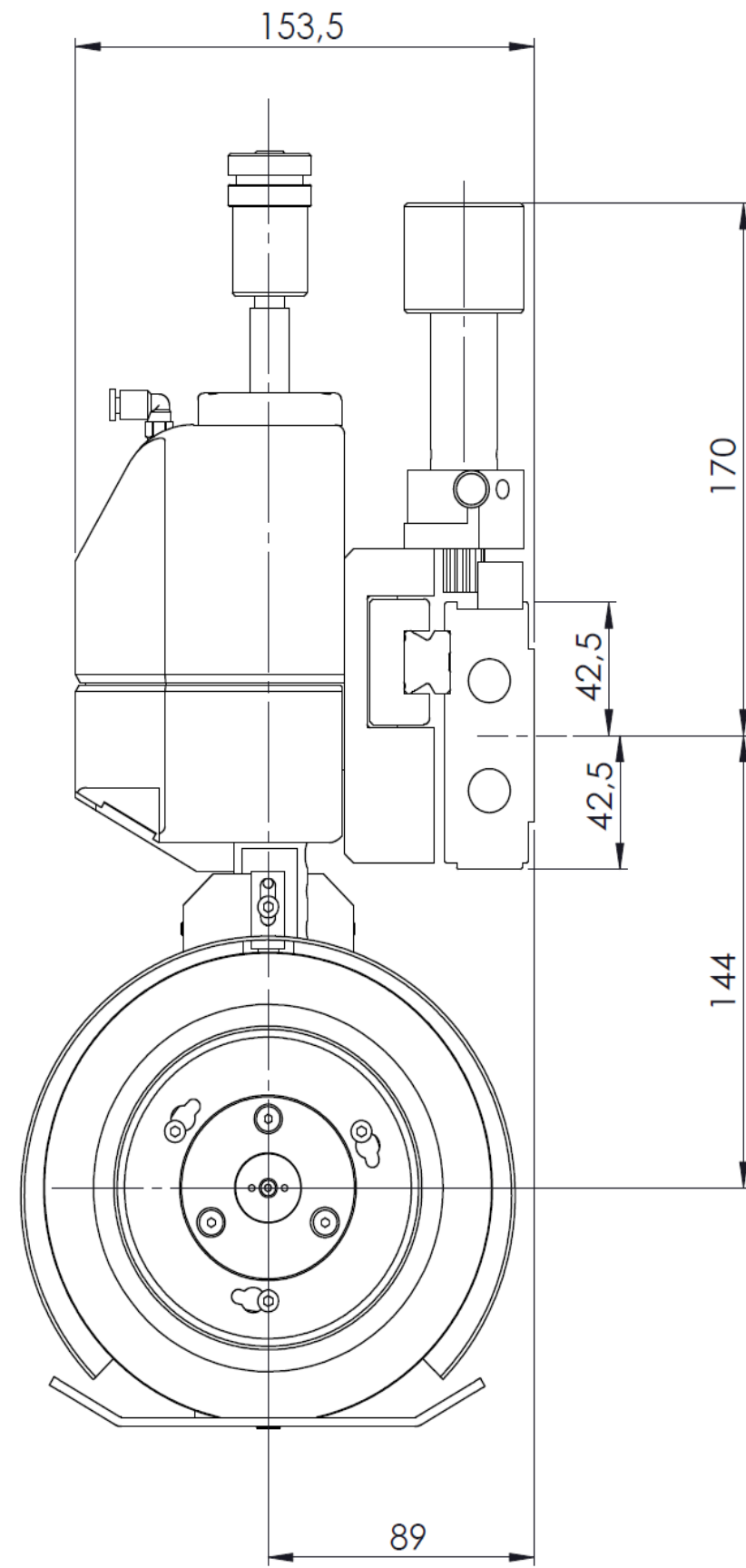




JS3-48C / JS3-75C pneumatic knifeholders

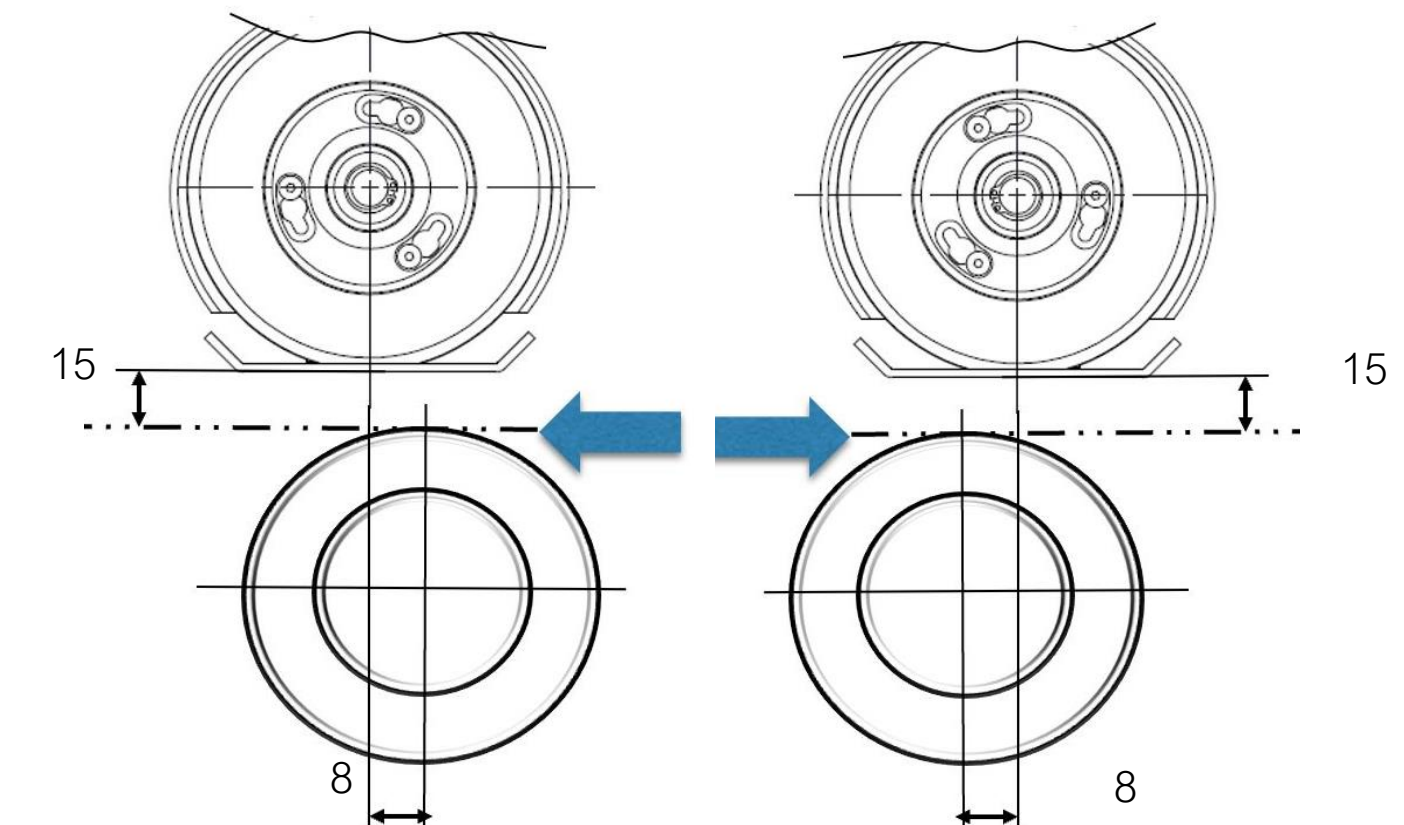
For paper, board, film, plastic, textile, laminates, fibreglass, nonwoven, rubber, aluminum, etc....



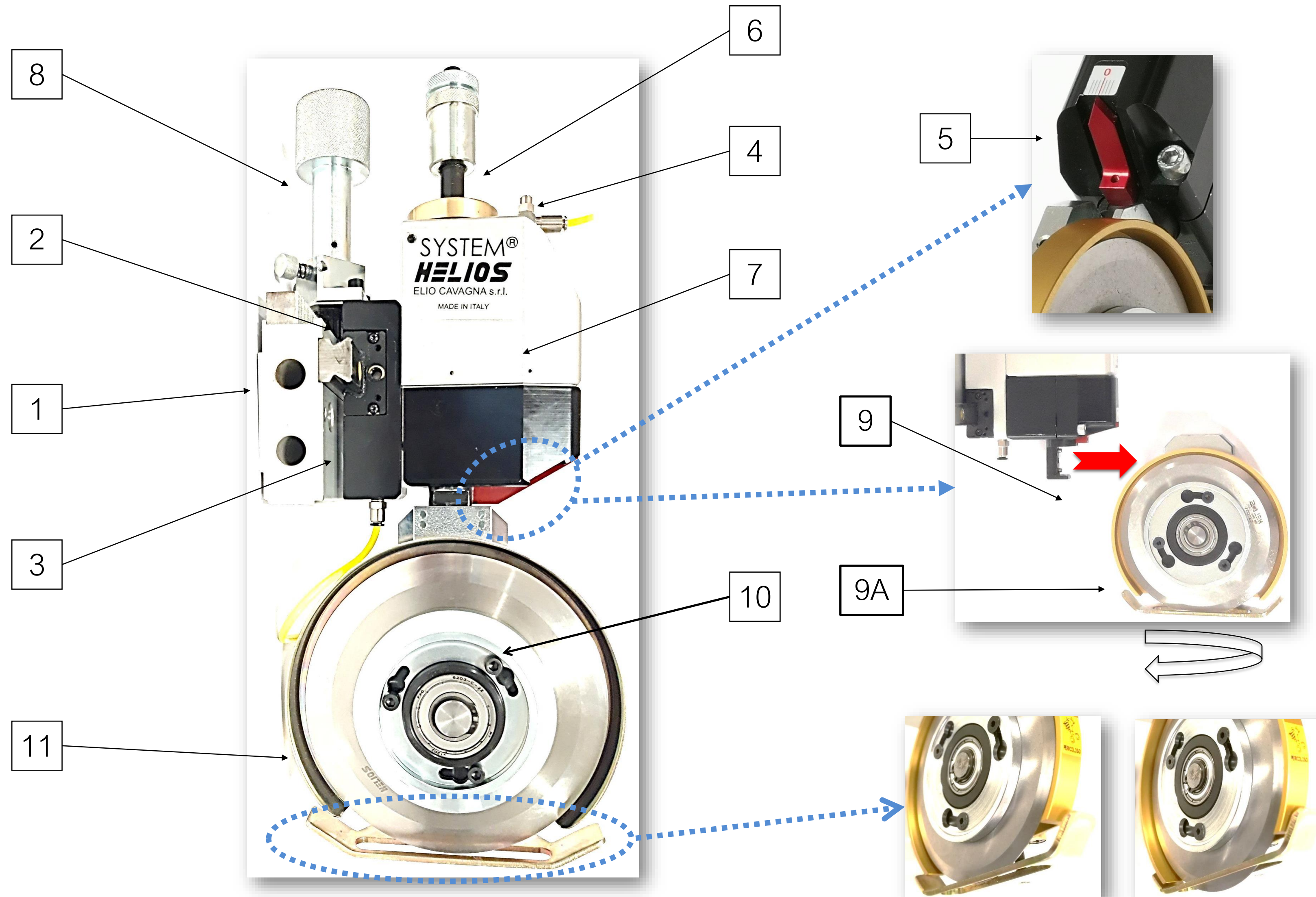
Knifeholder type	Ø D	P	S
JS3 48 C	130÷150	48	2,5
JS3 75 C	130÷150	75	3,5

Max speed	1000m/min (48C) 1200m/min (75C)
Min. slit	50mm (48C) 75mm (75C)
Blade stroke, max	25mm
Paper, carton	Up to 600gr/m ² (48C) Up to 800gr/m ² (75C)
Laminate	Up to 600gr/m ² (48C) Up to 800gr/m ² (75C)
Plastic, Film/Sheet	Up to 1000µ (48C) Up to 1200µ (75C)
Nonwoven	Up to 600gr/m ² (48C) Up to 800gr/m ² (75C)
Textile	Ask
Aluminium	Up to 200µ (48C) Up to 300µ (75C)
Rubber	Ask
Fibreglas	Up to 500µ (48C) Up to 700µ (75C)

Indicative values, for alternative materials ask for our evaluation



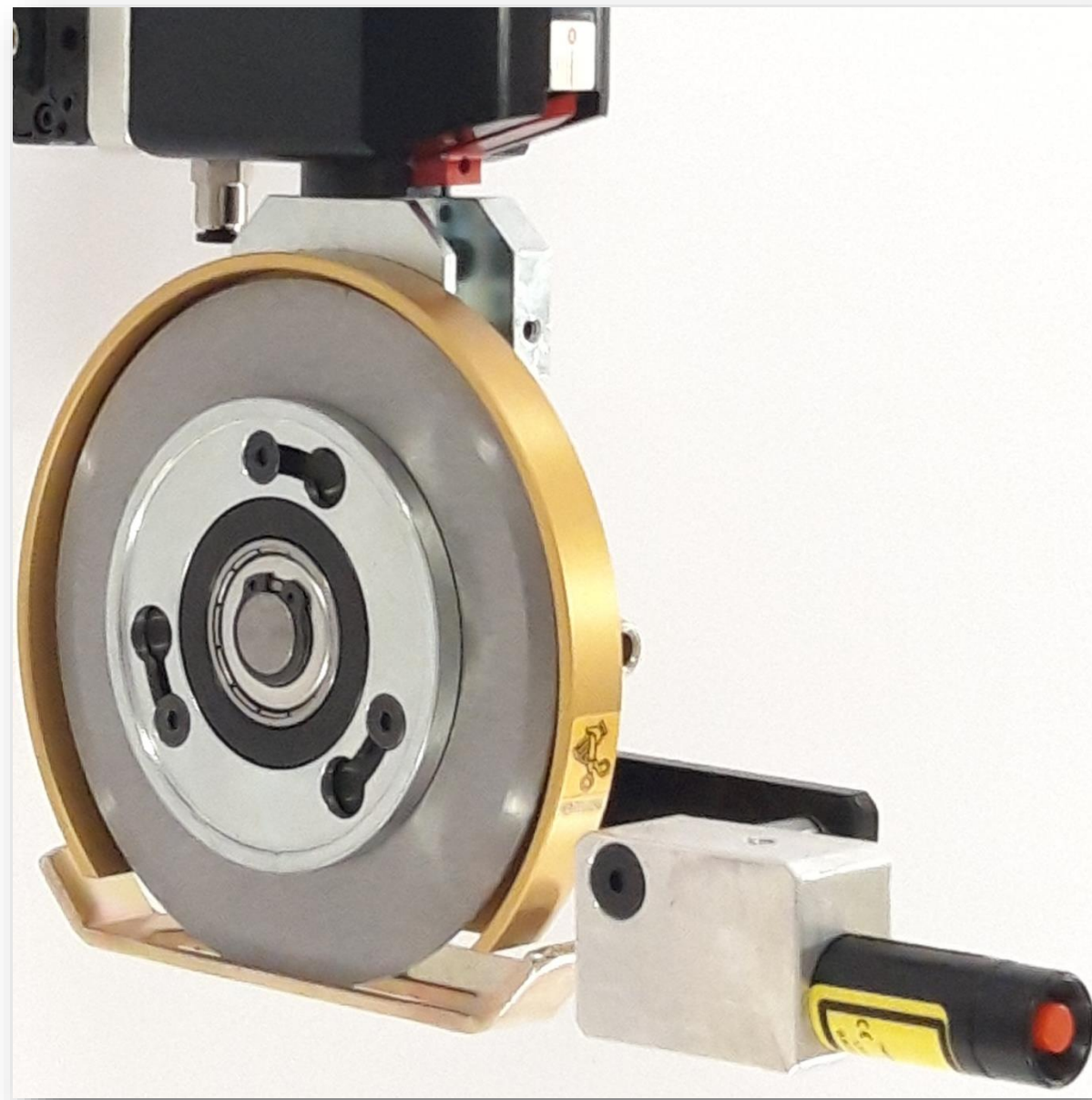
For any information specific to your application please contact us



MAIN FEATURES

1. Single rail guide
2. Single linear bearing
3. Pneumatic brake
4. Blade descent and side stroke with single alimentation
5. Blade cutting angle adjusting from 0 to 2°
6. Blade depth regulation, without nonius
7. Body with double piston for blade descent
8. Knob with pinion for movement
9. Frontal head extraction
 - 9 A. 180° head rotation
10. Bayonet blade assembling
11. 360° automatic blade protection

LASER TO CHECK BLADE
POSITION



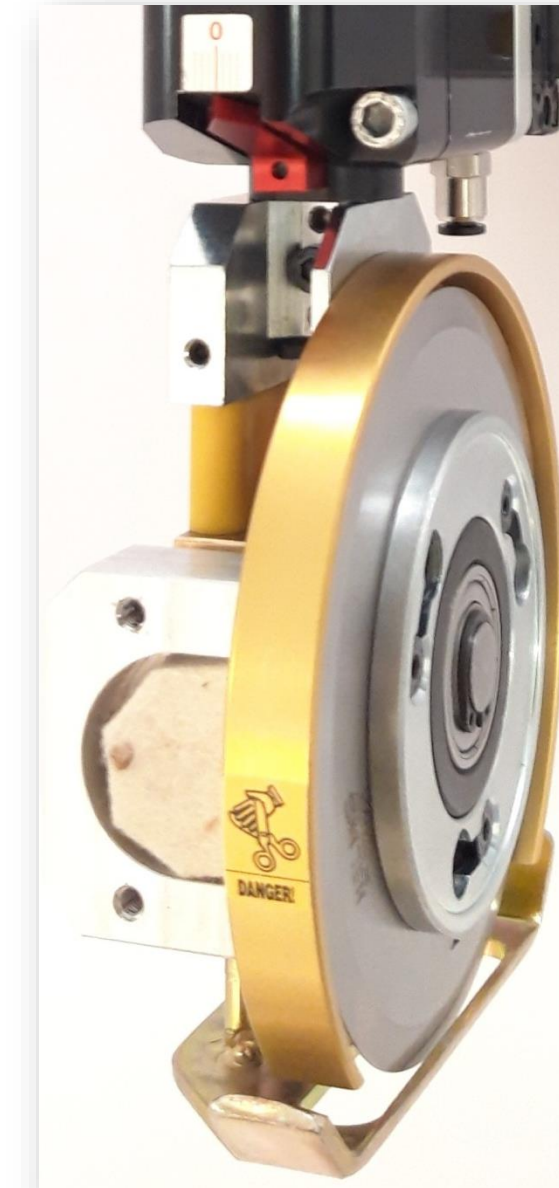
PLEXIGLASS
SIDE COVER FOR BLADE



COVER FOR DUST
EXTRACTION



FELT FOR BLADE
LUBRICATION



INTERCHANGEABILITY
WITH RAZOR BLADE

