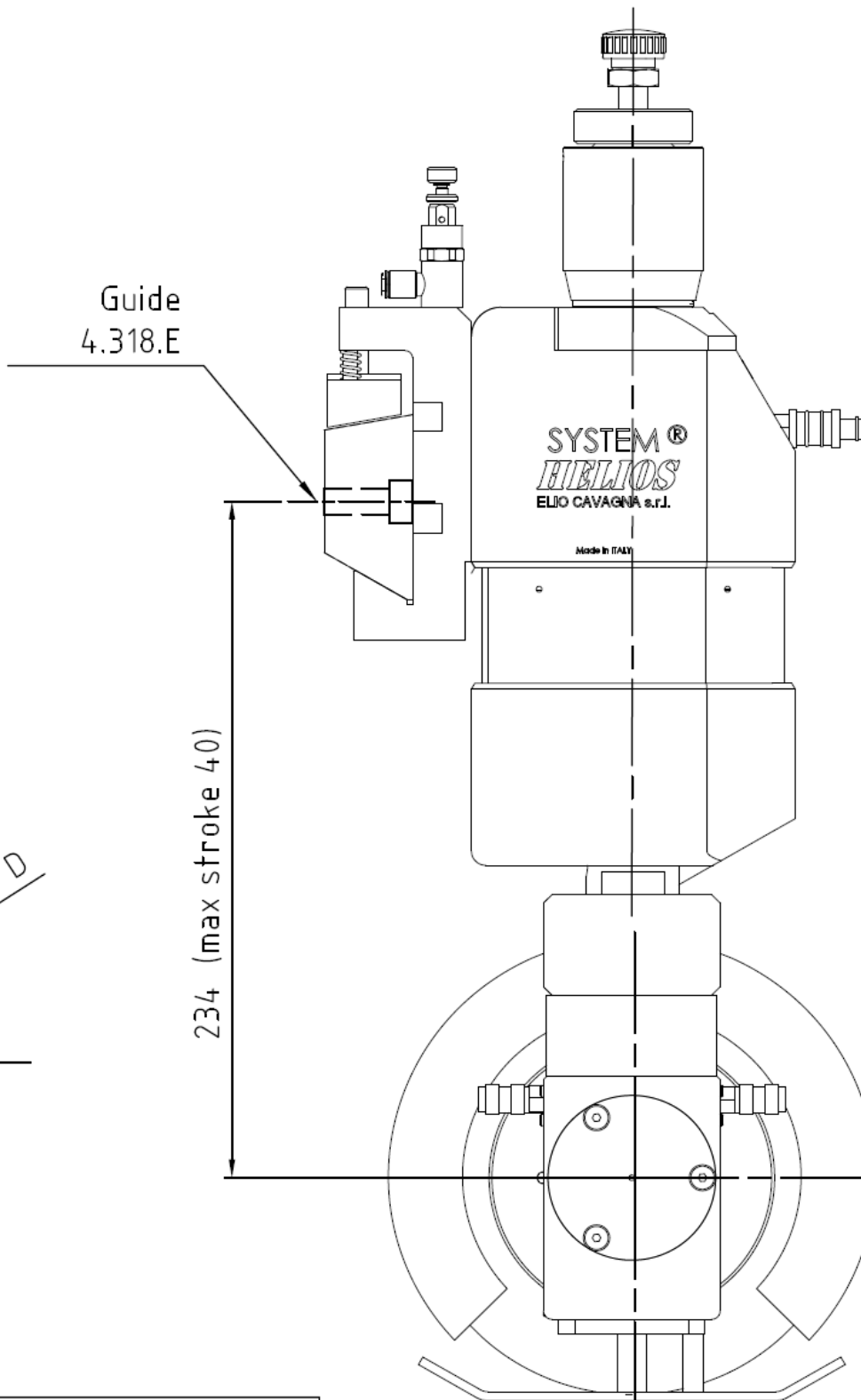
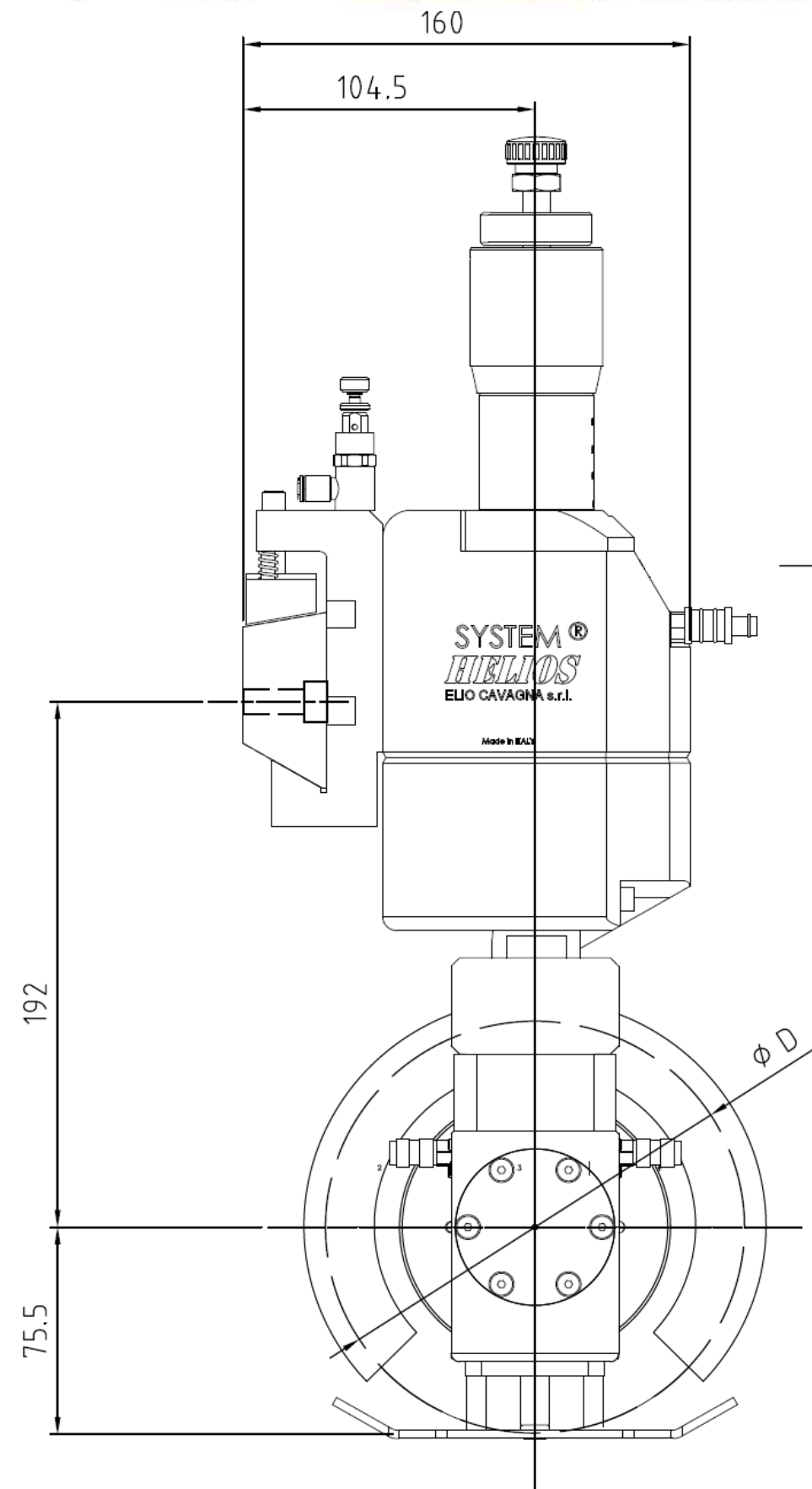
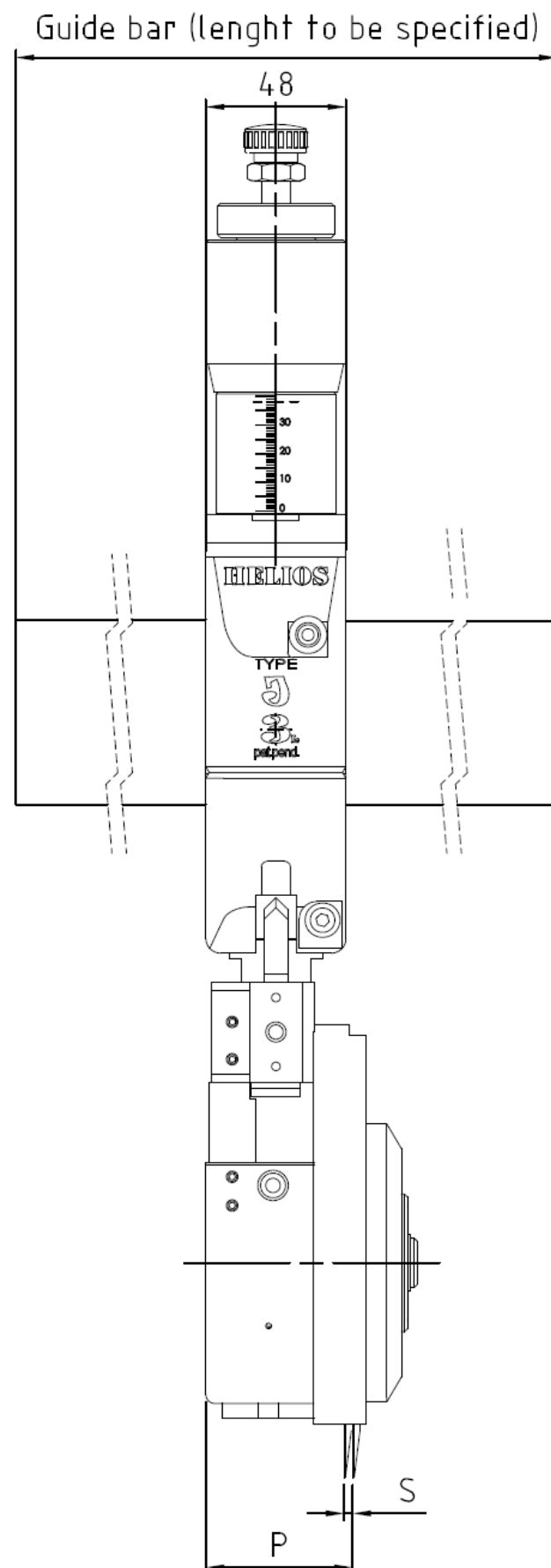




# J3B-48C / J3B-75C pneumatic knifeholders

For paper, board, film, plastic, textile, laminates, fibreglass, nonwoven, rubber, aluminum, etc....

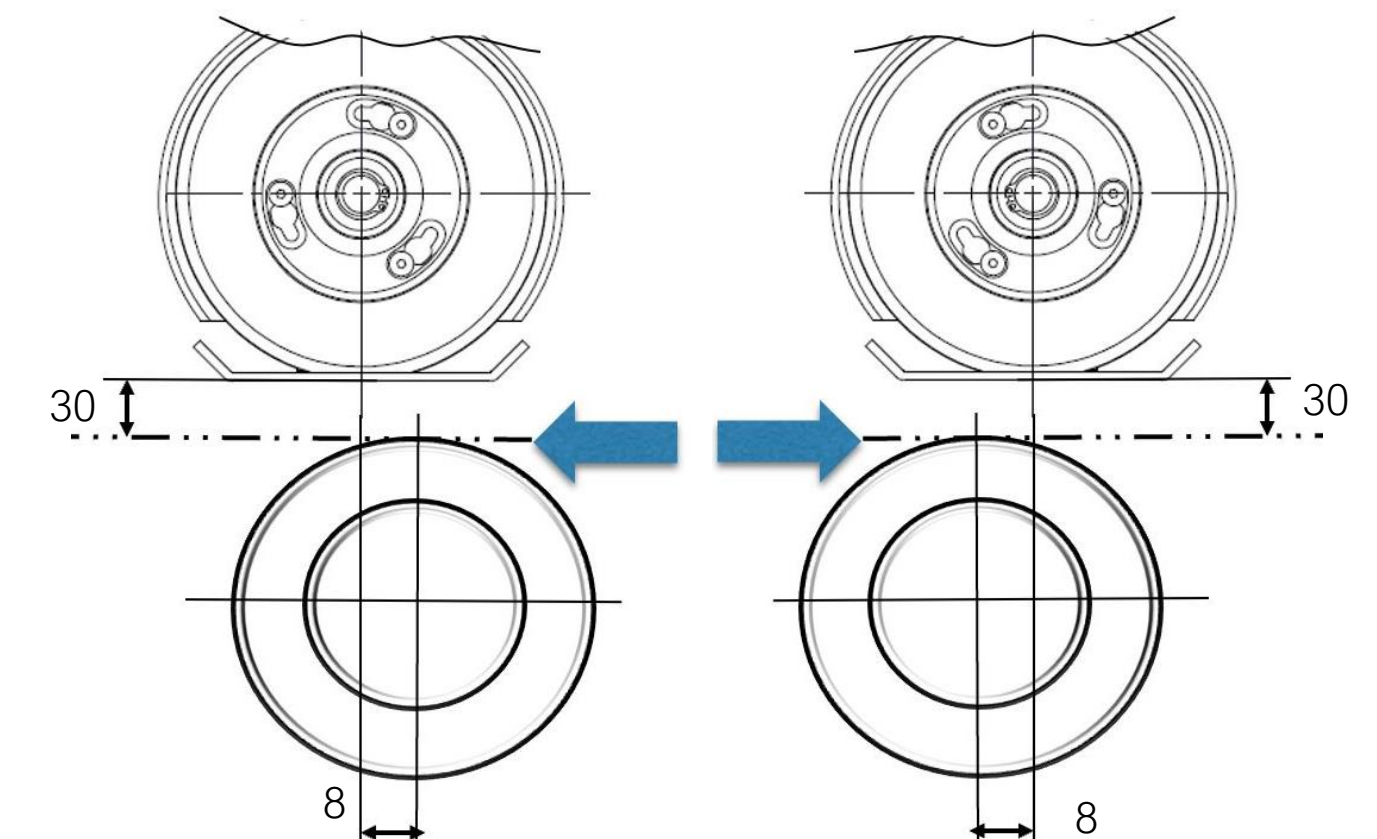
<b>Max sped</b>	1500m/min (48C) 2500m/min (75C)
<b>Min. slit</b>	50mm (48C) 75mm (75C)
<b>Blade stroke, max</b>	40mm
Paper, board	Up to 600gr/m <sup>2</sup> (48C) Up to 1500gr/m <sup>2</sup> (75C)
Laminate	Up to 600gr/m <sup>2</sup> (48C) Up to 1500gr/m <sup>2</sup> (75C)
Plastic, Film/Sheet	from 25μ to 1000μ (48C) from 25μ to 2000μ (75C)
Nonwoven	Up to 600gr/m <sup>2</sup> (48C) Up to 1000gr/m <sup>2</sup> (75C)
Textile	Ask
Aluminium	Up to 500μ
Rubber	Ask
Fiberglass	Up to 500gr/m <sup>2</sup> (48C) Up to 1000gr/m <sup>2</sup> (75C)



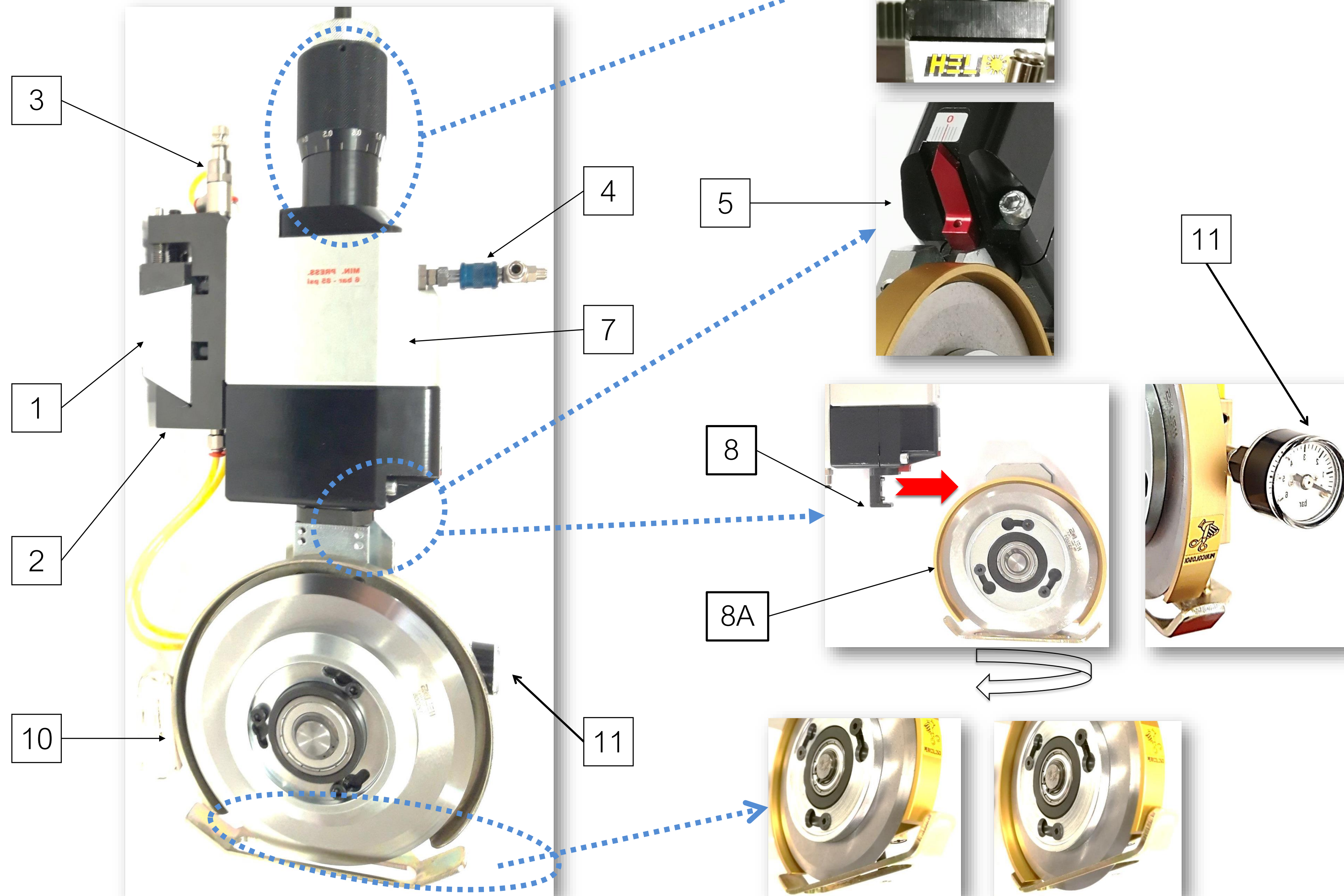
Knifeholder type	Ø D	P	S
J3 48 C	130÷150÷180	48	2,5
J3 75 C	130÷150÷180÷200	75	3,5

*For any information specific to your application please contact us*

Indicative values, for alternative materials ask for our evaluation



# J3B-48C / J3B-75C pneumatic knifeholders

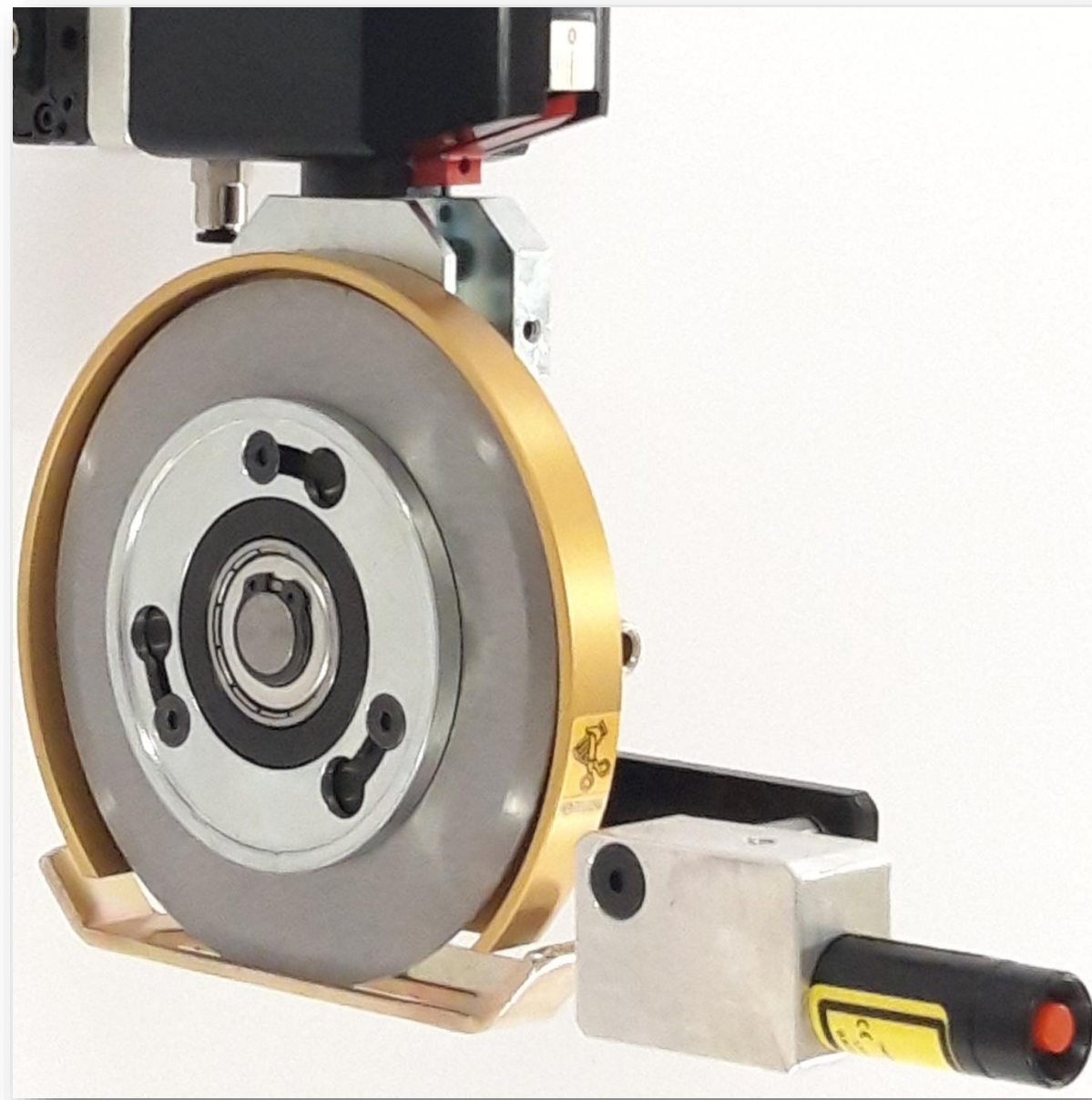


## MAIN FEATURES

1. Guide
2. Guide clamp
3. Air supplier for blade side stroke
4. Air supplier for blade descent
5. Blade cutting angle adjusting from 0 to 2°
6. Blade depth regulation, with nonius
7. Body with double piston for blade descent
8. Frontal head extraction
  - 8 A. 180° head rotation
9. Bayonet blade assembling
10. 360° automatic blade protection
11. Pneumatic cutting pressure regulator

OPTIONAL LIST

LASER TO CHECK BLADE  
POSITION



PLEXIGLASS  
SIDE COVER FOR BLADE



COVER FOR DUST  
EXTRACTION



FELT FOR BLADE  
LUBRICATION



INTERCHANGEABILITY  
WITH RAZOR BLADE

