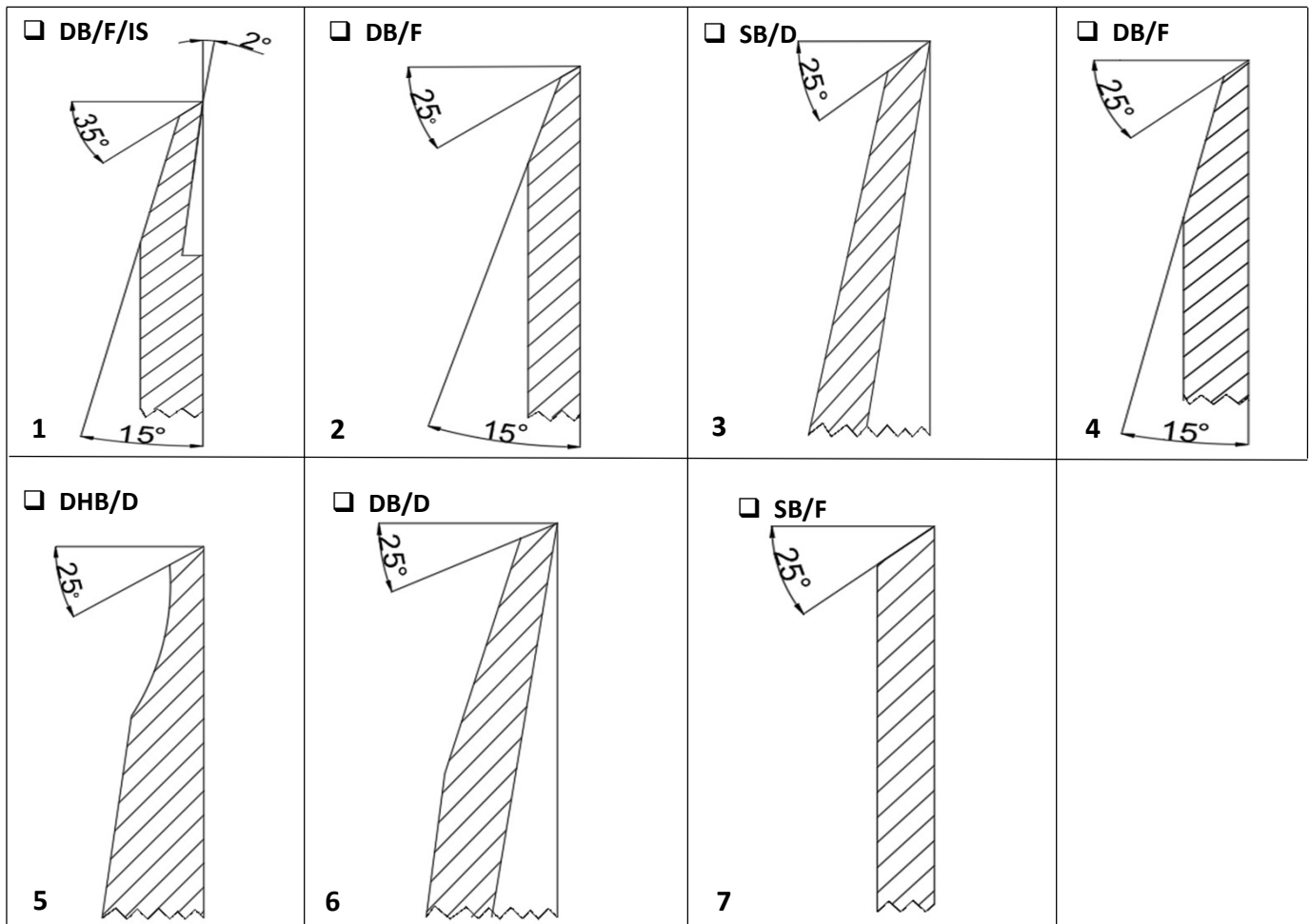


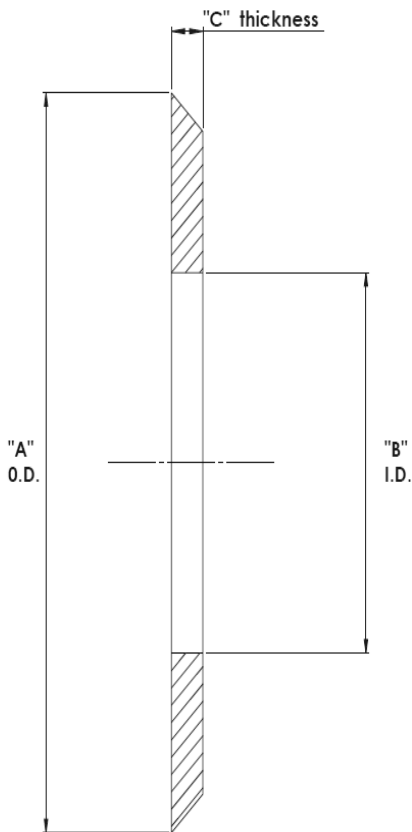
STANDARD BLADES DATASHEET

Tipologia lama / Blade design	
SB	Singolo Bisello / Single Bevel
DB	Doppio Bisello / Double Bevel
DHB	Doppio Bisello Concavo/ double hollow bevel
D	Conica / Dished
F	Piatta / Flat
IS	Affilatura interna /Internal sharpening
Tipo di acciaio / Material quality	
STD (K720)	Reg. 6% CR steel, according to standards k720 UNI: 88 MM G8 KU / DIN: 88 MM V8 / Werkstoff: 1.2842
CHR (K100)	13% chrome steel, according to standards: k100
HSS	High Speed Steel, according to standards: UNI: X 82 W MO-06-05 KU / DIN: S 652 / Werkstoff: 1.3343
Tungstene Carbide	Hard Carbide Steel, according to standards: UNI: K40
ASP	



Standard blades list						
Dimension	Model	K720 (STD)	K100 (CHR)	HSS	K40 Carb	Asp 2023
AxBxC	Ø 90					
90x60x1,2	SB/D	129043	129044			
90x60x1,2	DB/D	129045	129046			
90x60x1,2	DB/F	128214	128223			
90x60x1,2	DB/H	129217				
90x60x1,2	3H/DB/D	129001/129002				
AxBxC	Ø 105					
105x60x1,2	DB/D	131000				
105x60x1,2	DB/F	131001				
105x60x1,2	DBH/D	129216	129341			
105x60x1,2	3H/DB/F	129308/129309				
AxBxC	Ø 130					
130x80x2,3	3H/DB/F	129003	129004			
130x80x1,2	SB/D	128215	129048			
130x80x1,5	DB/D	129047	128399			
130x80x2,5	DBH/D	129218	129157			
AxBxC	Ø 150					
150x80x2,5	SB/D	129000	129049			
150x80x2,5	DB/D	128216	128401			
150x80x2,5	DBH/D	129219	129219CHR			
150x80x2,5	3H/DB/F	129005	129006			
150x80x2,5-5°	DB/F/IS	129497	129419	129497		
AxBxC	Ø 180					
180x70x4	DB/D/STD	128217/128587				
180x70x4	3H/DB/F/CHR	128702/129326				
180x80x4	DBH/D	129220	129220CHR			
180x80x4	DB/D	129367	129368			
180x80x4,8-5°	DB/F/IS		129397	129462		
AxBxC	Ø 200					
200x80x4	RN/DB/D/STD	129369				
200x80x4	RN/DB/D/CHR	129370				
200x80x4-5°						131020

Inquiry for not standard shear cut blades (pls fullfill below)



CHOOSE MATERIAL QUALITY		
K720 (STD)	<input type="checkbox"/>	UNI.2077/100CR6
K100 (CMR)	<input type="checkbox"/>	1.2379/13%Cr/D3
HSS	<input type="checkbox"/>	HIGH SPEED STEEL
K40 (Car)	<input type="checkbox"/>	HARD METAL TUGSTEN CARBIDE
ASP 2023	<input type="checkbox"/>	

FULLFILL WITH DIMENSIONS		
A	B	C

CHOOSE ANGLE OF INCLINATION		
DESCRIPTION	Fig	
DB/F/IS	1	<input type="checkbox"/>
DB/F	2	<input type="checkbox"/>
SB/D	3	<input type="checkbox"/>
DB/F	4	<input type="checkbox"/>
DHB	5	<input type="checkbox"/>
DB/D	6	<input type="checkbox"/>
SB/F	7	<input type="checkbox"/>

Q.ty :